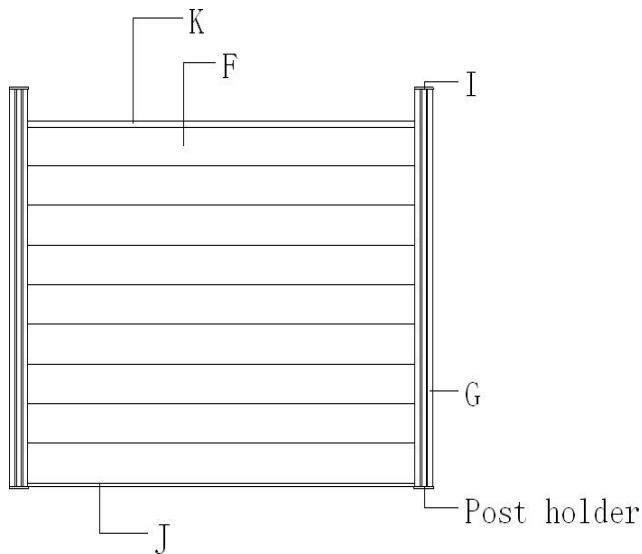


Wood Plastic Composite Fence Installation Guide



SevenTrust Fencing is a wood-plastic composite product. The surface comes in many colors to give a natural wood appearance without the wear and tear of actual wood. This fence material requires little to no maintenance which in turn saves money. It is engineered to endure harsh weather abuse which includes rainstorms, heatwaves and snow. This material is made with environmentally safe compounds and is secure for parents and children.

To ensure continued client satisfaction, from the start we purchase great quality raw materials. This material looks and feels like wood and has the durability of strong plastic.

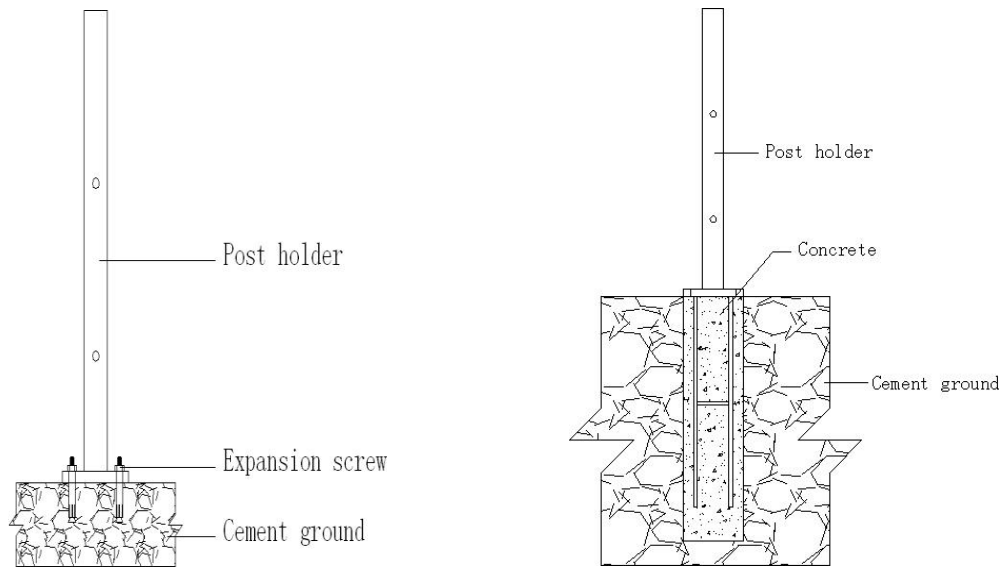


I . Fencing Accessories

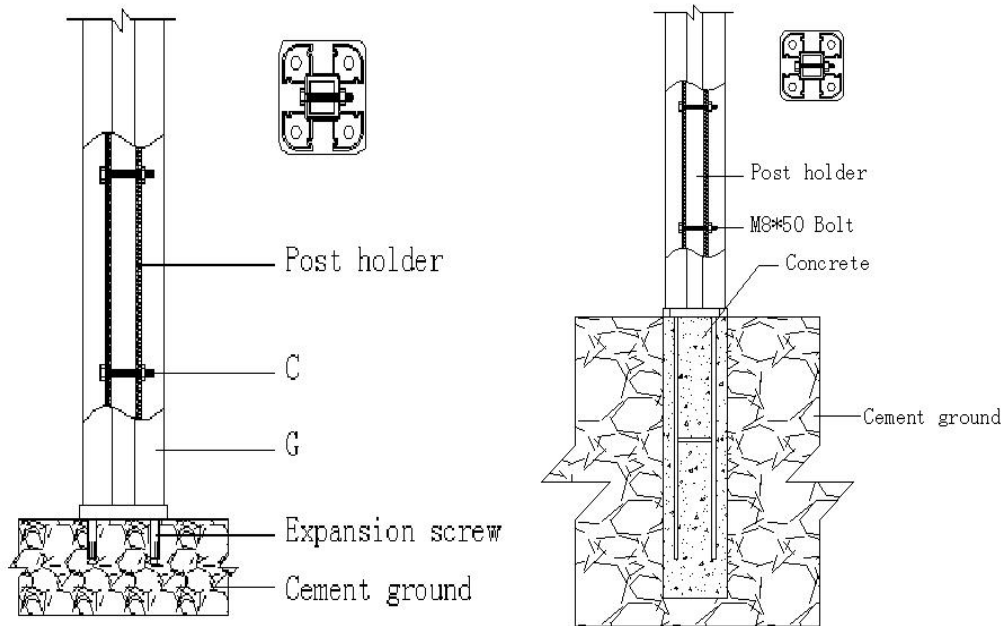
ITEM	PICTURE	SIZE
WPC fence board		210x21x1836mm 9pcs both sides sanded
Alu. Post		68x68mm 2700mm length
Plastic post Cap		68x68x50mm
Alu. U-Groove		20x12x1830mm
alu.bottom support		20x37x1830mm
Alu.Strip		18x22mm standard length: 2700mm
Alu.Cover		12x7mm Length: 2700mm
Alu.clamp		

II. Installing steps

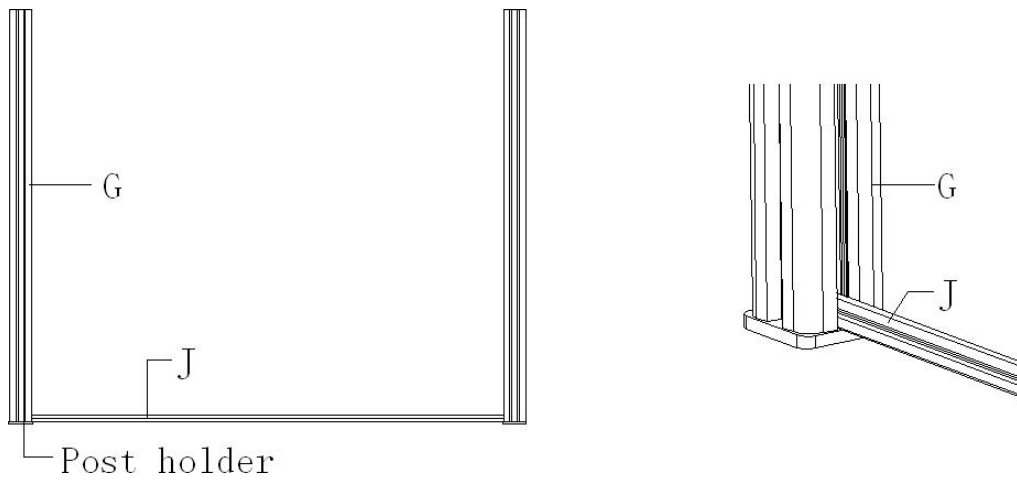
1. Fix the post holder to the cement ground



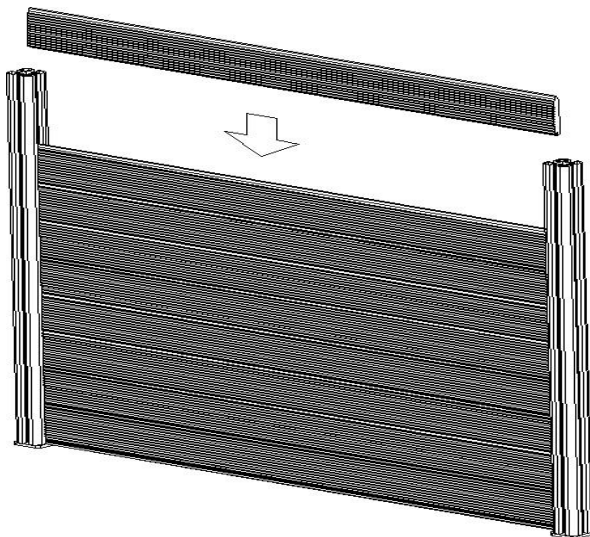
2. use M8*50(C) to fix the post to the post holder



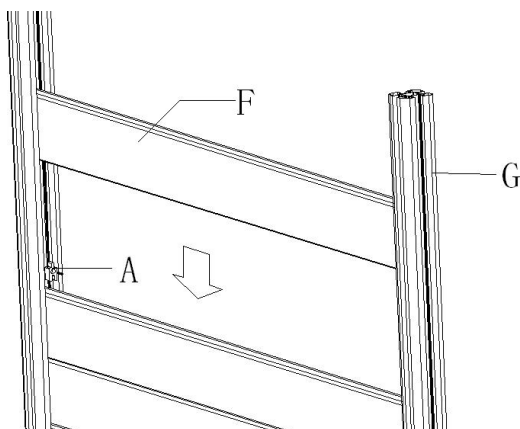
3. Fit the bottom cover (J) to the posts



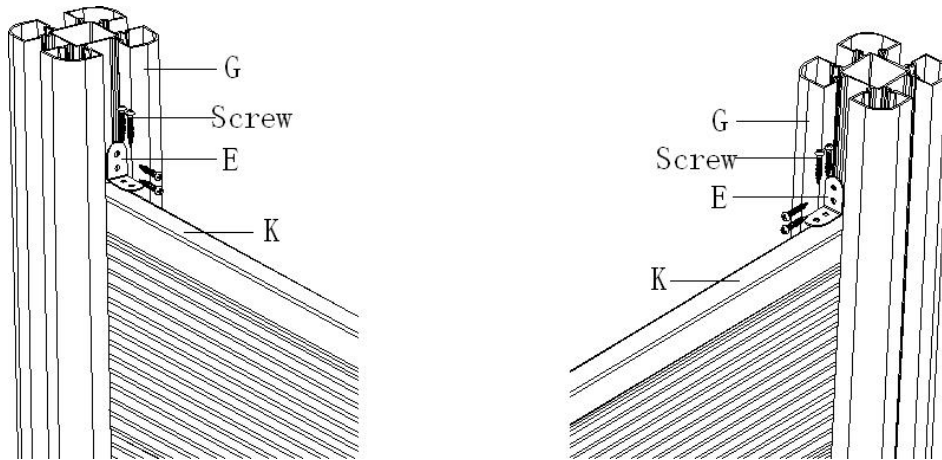
4. Slide fence boards



*only use the board separator (A) to create spacing between the horizontal boards



5. Fit top cover (k) to the posts and fix with corner clip



6. Place post side cover and cap

